

**CCT**  
MALININ GROUP



# ATLANT 6000

DEMOLITION ROBOT



# INDEPENDENT WORK IN HARD CONDITIONS

The ATLANT 6000 robot is a mid-range multifunctional machine.

Using such a universal tool, it is possible to solve engineering problems of any complexity. The possibility of installing a diesel drive ensures full autonomy of the Atlant 6000 robot.

The remote control provides a comfortable and safe operation of the operator.

Robot turret rotates 360 degrees, allowing you to work without moving the undercarriage.

The improved kinematics of the boom guarantees the most efficient operation with attachments.

The reliable design of the Atlant 6000 assumes long-term work without major repairs. Maintenance is carried out through standard doors without dismantling large components of the robot.

At work, the Atlant 6000 implements the possibility of two- and one point slinging for fast movement.

## APPLICATIONS:

### Demolition

- demolition of concrete structures: foundations, raft foundations, etc.;
- demolition of pile heads;
- demolition work in areas with chemical, toxic lesion;
- demolition of dilapidated structures.

### Cement and steel industry

- cleaning and debricking of furnaces and melting units.

### Underground construction

- dismantling resistant walls and punchings;
- sinking shafts;
- disassembly of rocks.

### Nuclear industry

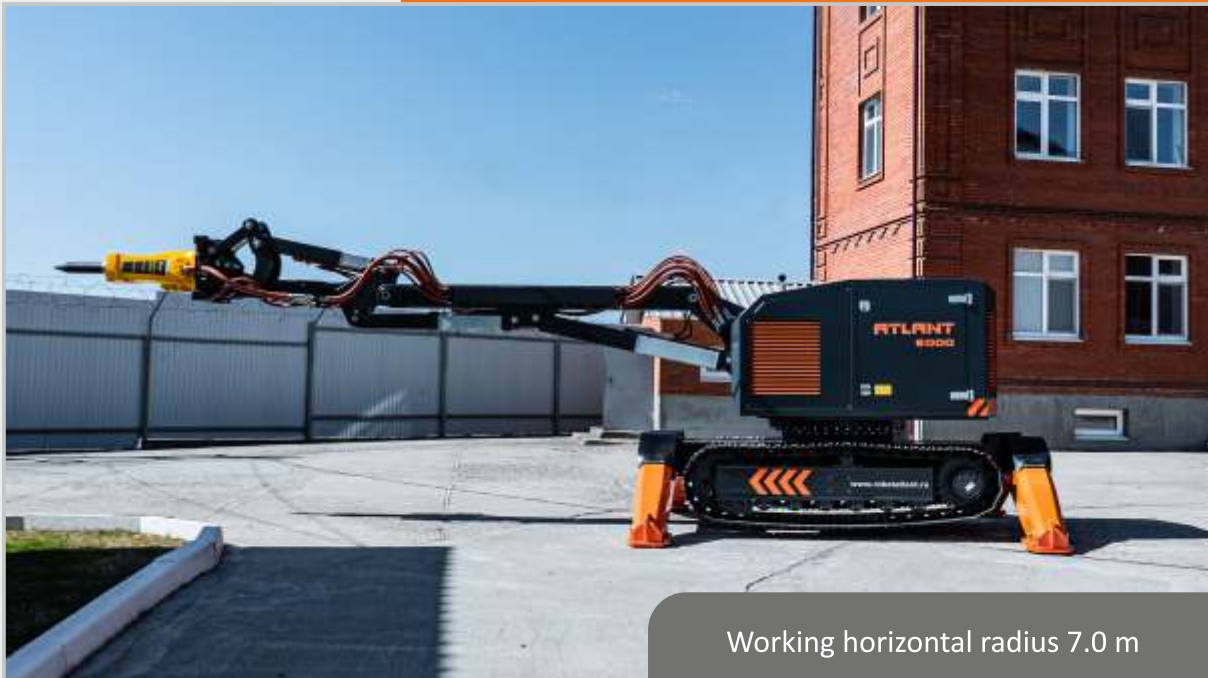
- work in radioactive contamination areas

## OPTIONS:

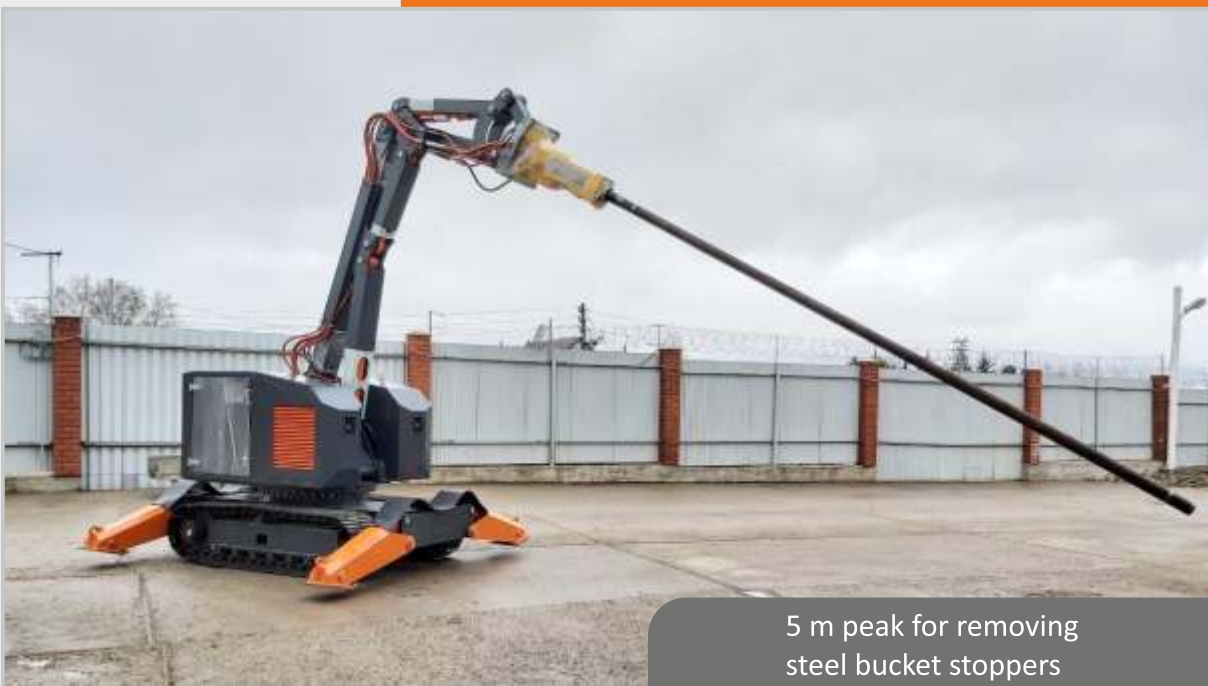
- extra air cooling;
- hoses pyroprotection;
- breaker ventilation;
- protect covers.







Working horizontal radius 7.0 m



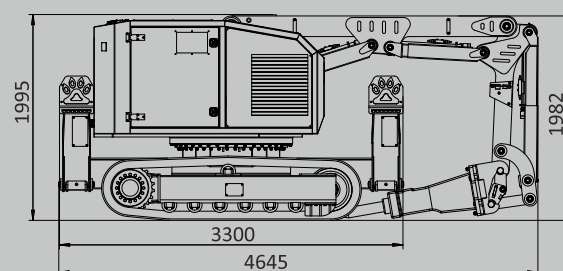
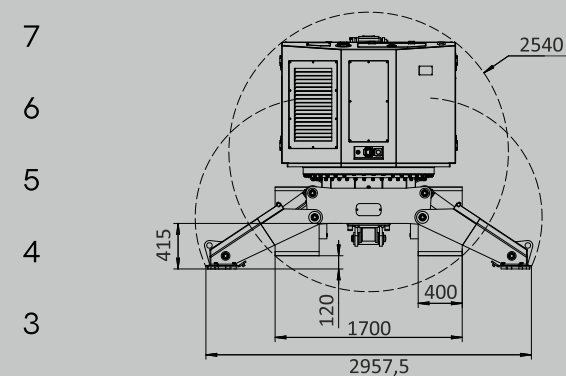
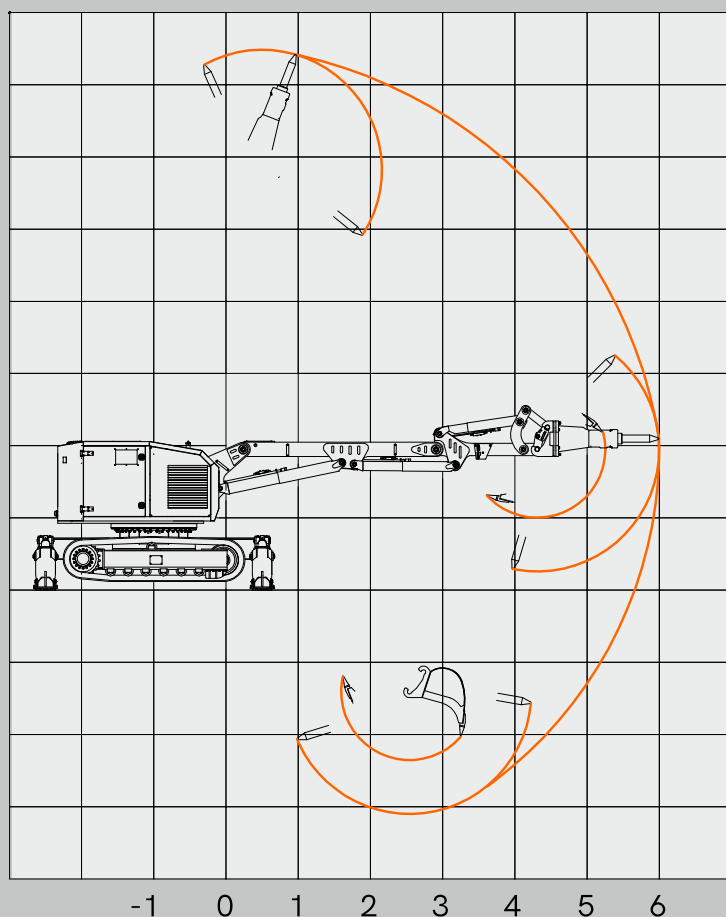
5 m peak for removing steel bucket stoppers



Attachments weighing up to 1000 kg

# Technical data

ENGINE	
Type	electric/diesel
Power	45 / 70 kW
WEIGHT	
Weight of basic machine excluding attachment	7500 kg
BREAKER SB552	
Impact energy	1148 kJ
Impact rate	660-1140 blow/min
UNDERCARRIAGE	
Rotation	20 sec/360°
Max. speed	2.5 km/h
Max. incline angle	25°
HYDRAULIC SYSTEM	
Capacity	150 l
Hydraulic pump type	axial-piston
Pressure	21 MPa
Delivery	150 l/min
CONTROL SYSTEM	
Type	Portable remote controle
Signal code	Digital
Transfer	Cable/radio
Range,radio	100 m



**Attachments:**

- breakers
- buckets
- concrete crushers
- drilling equipment
- tunnel and mining equipment
- clamshell buckets
- side angling device
- cut off saw
- metal shears
- scabblers
- multi purpose grapples
- sorting & demolition grapples
- planers

**+7 342 200-79-00**  
**info@cct-drill.ru**  
**www.robotatlant.ru**

**download brochure**

